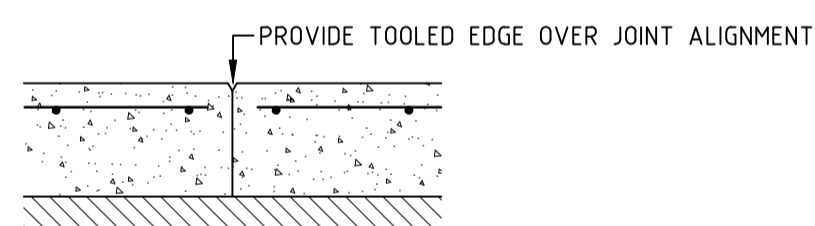


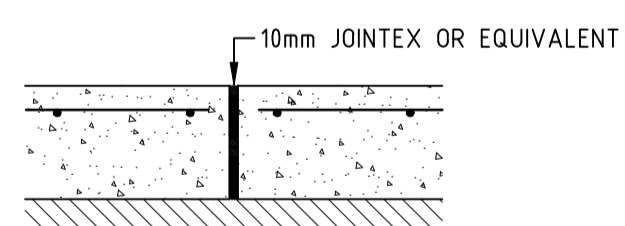
DRIVEWAY 1 1
1:50 (C301)



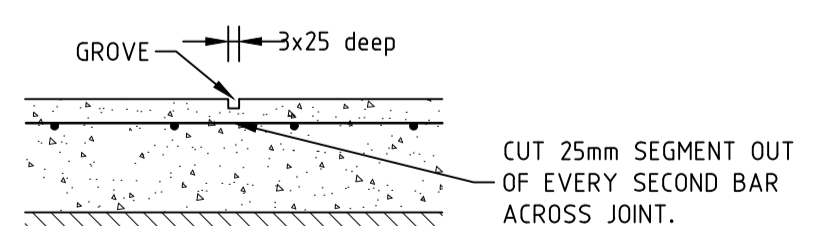
DRIVEWAY 2 2
1:50 (C301)



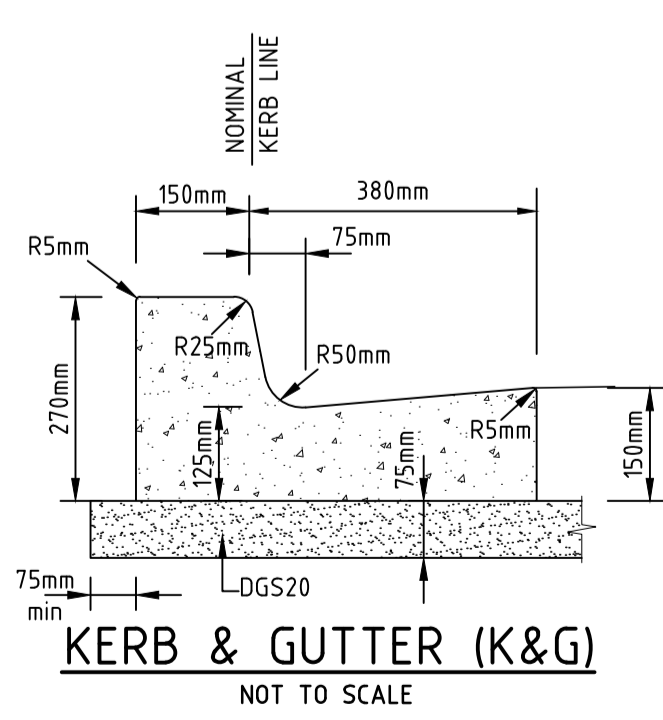
CONSTRUCTION JOINT (CJ)
NOT TO SCALE



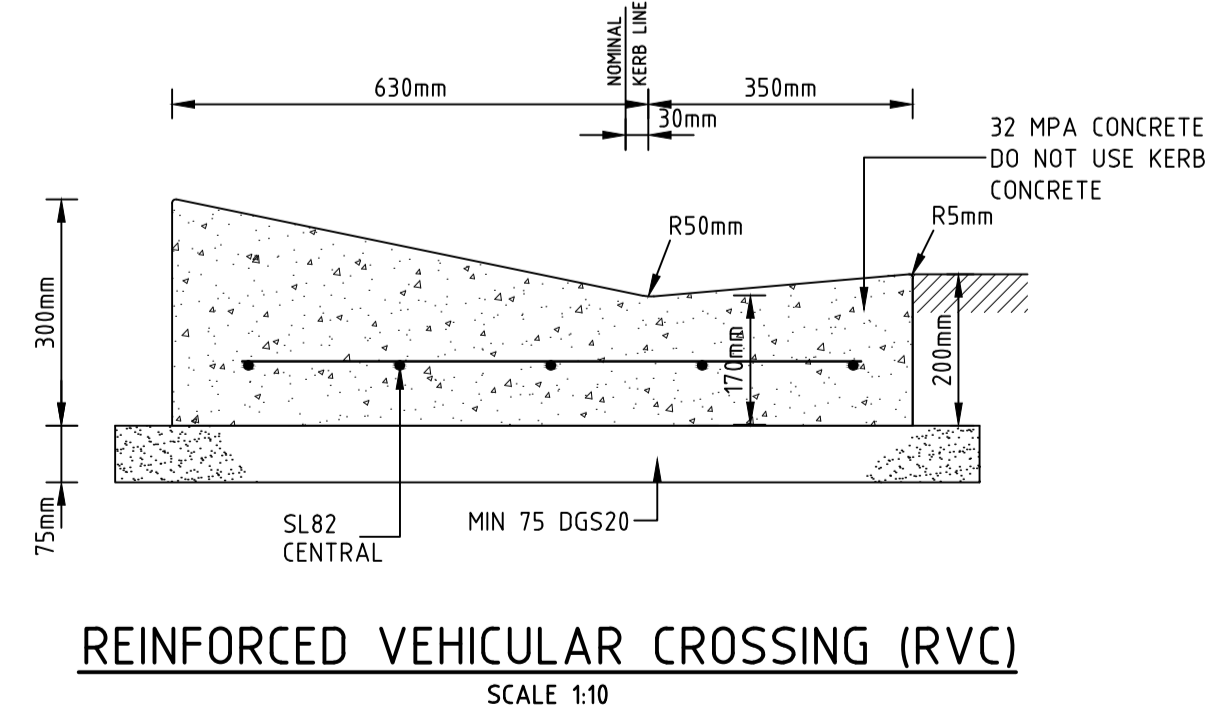
EXPANSION JOINT (EJ)
NOT TO SCALE



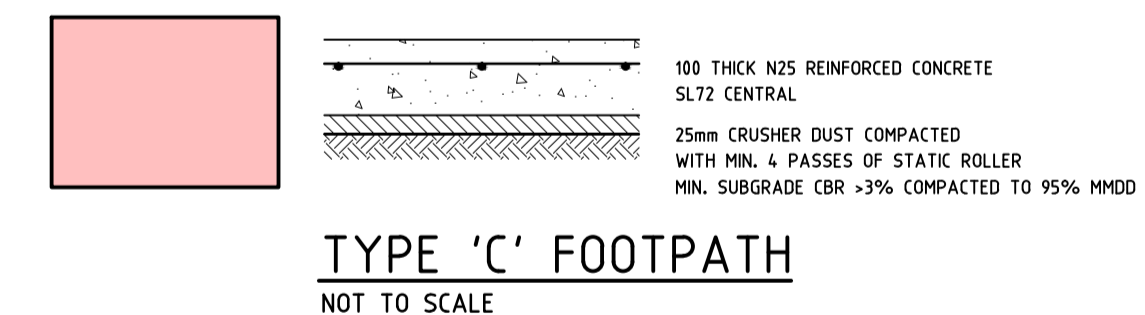
WEAKENED PLANE JOINT (WJ)
NOT TO SCALE



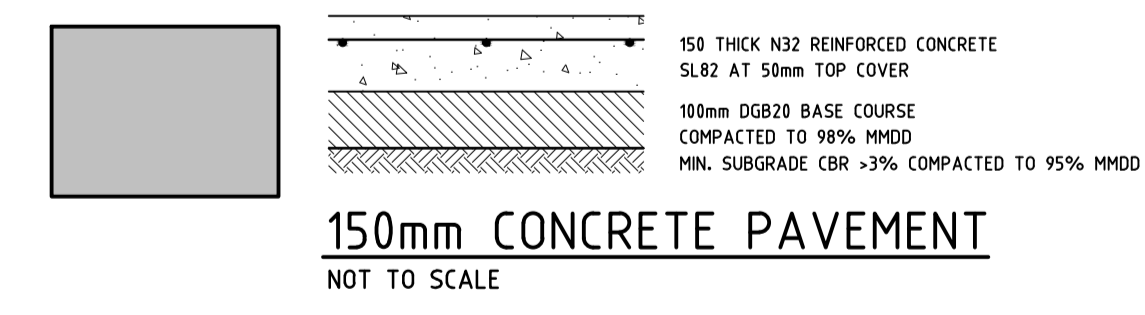
KERB & GUTTER (K&G)
NOT TO SCALE



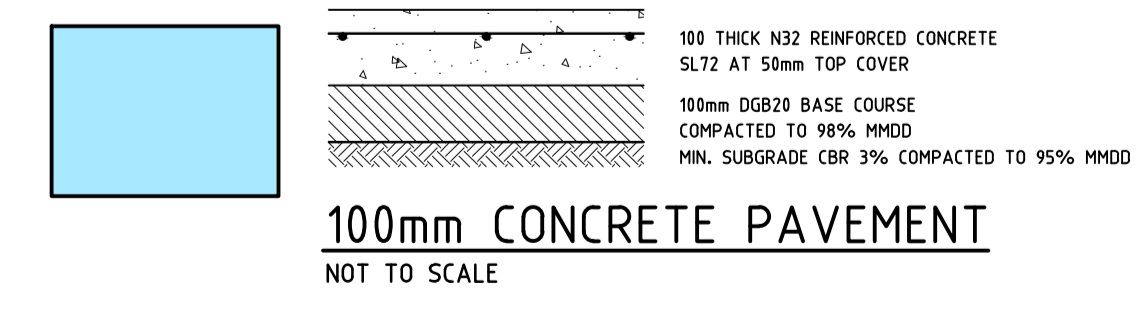
REINFORCED VEHICULAR CROSSING (RVC)
SCALE 1:10



TYPE 'C' FOOTPATH
NOT TO SCALE



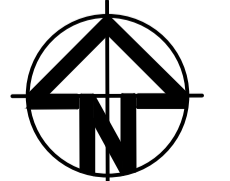
150mm CONCRETE PAVEMENT
NOT TO SCALE



100mm CONCRETE PAVEMENT
NOT TO SCALE

ISSUE	DESCRIPTION	DATE	DRAWN	AMEND	DESCRIPTION	DATE	DRAWN
1	FOR DEVELOPMENT APPROVAL	30.06.14	CMO				
2	FOR REVIEW	06.06.14	CMO				

DO NOT SCALE OFF DRAWINGS
VERIFY ALL DIMENSIONS ON SITE
BEFORE COMMENCING WORK.
COPYRIGHT: The concepts and information contained in this document are copyright of Sellick Consultants. Use or copying of this document in whole or in part without written permission constitutes an infringement of copyright.



sellick consultants
po box 5005 braddon act 2612
p: 02 6201 0200 f: 02 6247 2203
sellickconsultants.com.au

PROJECT TITLE
PROPOSED BLOCK AMALGAMATION
CLIENT
ACT HOUSING

DESIGNED BY
CMO
CHECKED BY
BC
AUTHORISED BY
DATE
30/06/2014

DRAWING TITLE
CIVIL DETAILS PLAN
PROJECT LOCATION
**BLOCKS 20,22,23,24&25
SECTION 39, NARRABUNDAH**

SCALE
0m 1 2 3 4 5
1:100 @A1 1:200 @A3
JOB NO.
140028
DRAWING NO.
C302