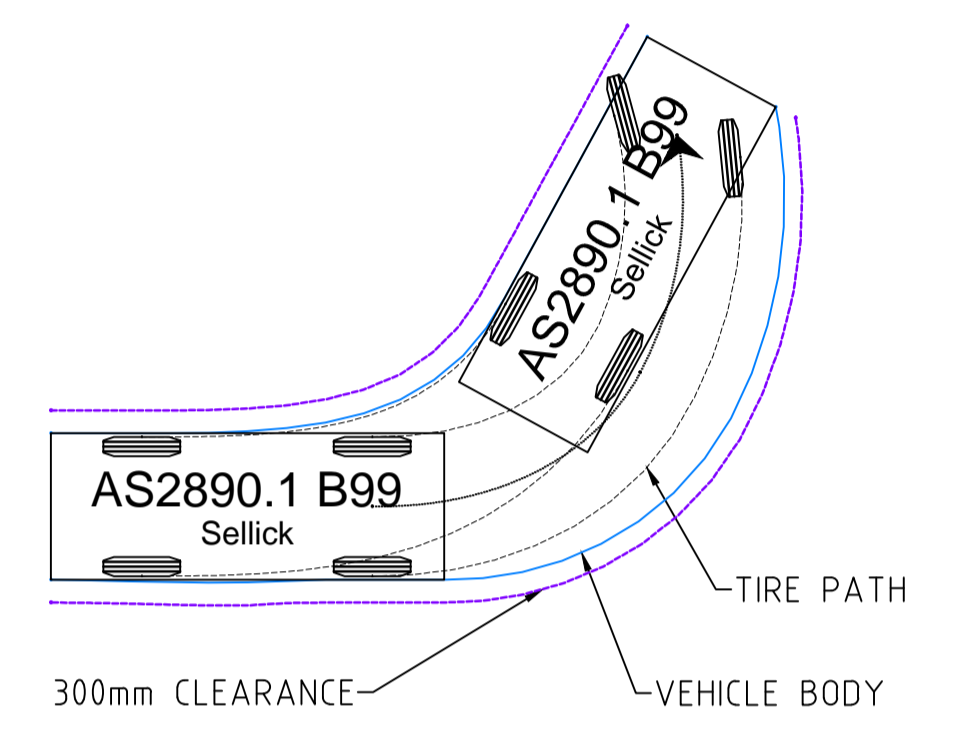


AS2890.1 B99
 Width : 1.94m
 Track : 1.84m
 Lock to Lock Time : 6.00s
 Steering Angle : 38.00°



DETAIL 1
1:100

DETAIL 2
1:100

FOR DEVELOPMENT APPROVAL FOR REVIEW ISSUE DESCRIPTION	30.06.14 06.06.14 DATE	CMO CMO DRAWN	AMEND DESCRIPTION DATE DRAWN	DO NOT SCALE OFF DRAWINGS VERIFY ALL DIMENSIONS ON SITE BEFORE COMMENCING WORK. COPYRIGHT: The concepts and information contained in this document are copyright of Sellick Consultants. Use or copying of this document in whole or in part without written permission constitutes an infringement of copyright.	  sellick consultants po box 5005 braddon act 2612 p: 02 6201 0200 f: 02 6247 2203 sellickconsultants.com.au	PROJECT TITLE PROPOSED BLOCK AMALGAMATION CLIENT ACT HOUSING	DESIGNED BY CMO CHECKED BY BC AUTHORISED BY DATE 30/06/2014	DRAWING TITLE TURNING DEMONSTRATION PLAN PROJECT LOCATION BLOCKS 20,22,23,24&25 SECTION 39, NARRABUNDAH	SCALE  1:100 @A1 1:200 @A3 JOB NO. 140028 DRAWING NO. C501
---	------------------------------	---------------------	---------------------------------	---	--	---	---	--	--